

High Power Distribution and Fuse Box Up to 500A

Compact and clear DC distribution system for boats and specialist vehicles.

5 x 15A continuous outputs with 30A fuses with one 300A fuse supplying that section (all supplied).

3 x ANL fused outputs from 80-500A ability.

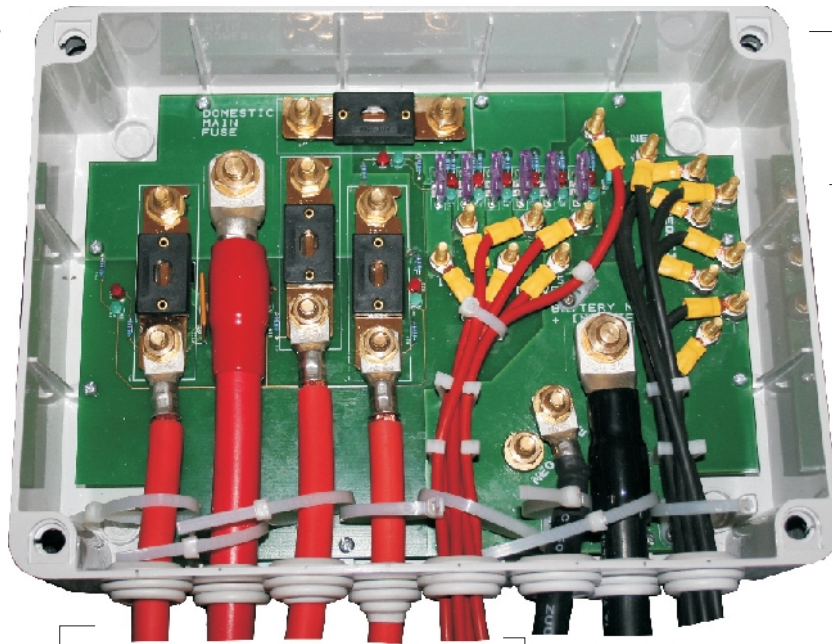
extra aux DC feed position to bypass main feed in event of ancillary equipment requiring a permanent feed even if the main battery bank is isolated, such as alarms or bilge pumps.

Red LEDs to show when fuse has blown (only on when fuse has blown).

1 x 15A 'maintained' output with 30A fuse.

Cable guides for the low power cables, plus cable ties to be tightened when wiring complete to keep wires tidy and secure.

Green LEDs to show the circuit is live (LEDs on all the time when battery not isolated, can be switched 'off', if preferred, by removing a link).



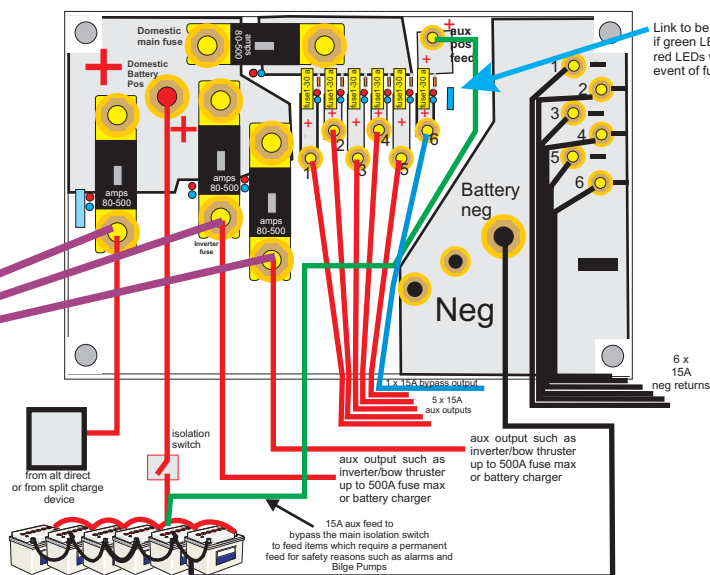
1) Retail market: can modernise your old system and make it safer and easier to find fuses/cables in case of faulty circuitry. Install near domestic to meet modern safety requirements.

Most negatives returned to box to enable easy circuit checks.

Emergency alternator link in the event of the alternator fuse blowing (this prevents the alternator being damaged).

2) OEM market: if shall reduce wiring time and improve cable tidiness. Replaces the need for many individual parts to be fitted and connected. Saving both time and money.

3 GANL fuses are required to complete the Distribution box (indicated by the 3 purple lines). They are not supplied with the package. Please refer to the chart below for the correct GANL codes.



Link to be removed if green LEDs not wanted, red LEDs will still work in event of fuse failure.

Fuse	SKU
80 amp	GANL80
100 amp	GANL100
150 amp	GANL150
200 amp	GANL200
250 amp	GANL250
300 amp	GANL300
350 amp	GANL350
400 amp	GANL400
500 amp	GANL500



FINISHED UNIT SHOULD LOOK LIKE THIS (clear plastic cover lid removed for better picture)

DC High Powered Fuse Distribution Box		
Size	Weight	SKU
300 x 220 x 120 mm	1.5Kg	PPD500