

High Voltage Protection Device

6KW direct, unlimited power indirect

Sterling's High Voltage Protection Device (HVPD) is designed to protect any 230V AC supply such as: Generators / inverters / mains from incorrect voltage destruction. At some marinas / parks the mains supply voltage is wrong and this can result in the governor speed control / regulator / voltage controller failing (sticking). This can result in a dangerous situation for the operator and can destroy AC equipment. The HVPD is designed to prevent such destructions.

Suitable for generators and inverters up to 6KW with direct connection.

Built to IP66

Suitable for generators and inverters of **any size** with indirect connection.

Automatically sends signal to shut down the actual generator or isolate the inverter, if required.

LED fault indicators

Test setting to confirm all is working.

unit can be adjusted to 270 / 280 / 300V AC. Detects a high voltage which can be adjusted to your requirements depending on the generator being used and its standard reaction to normal on / off loading.

Extra signal port for telemetry system information transmission if required.

Reacts within 0.12 seconds to that set voltage.

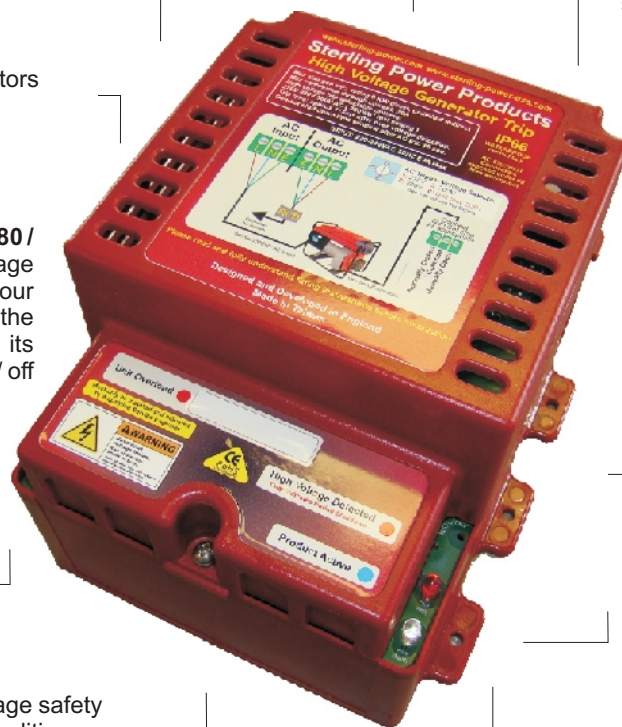
If generator is over 6KW the power is by sending an external signal to a larger breaker to disconnect the main power.

Please note, this is a high voltage safety trip and not an in line voltage conditioner.

If the generator is under 6KW the power is disconnected directly by switching its own 30A power breaker.

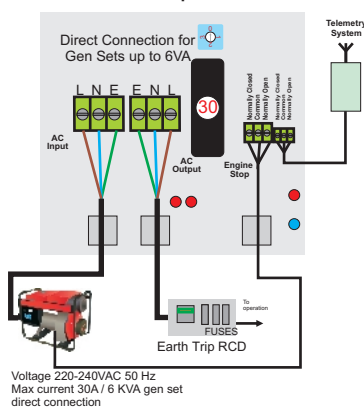
The unit makes no attempt to smooth or fix the high voltage. It is designed to assume a catastrophic failure and switch everything it can off as fast as possible. This reduces / prevents the ensuing damage from that high voltage failure.

30A overload trip (for internal wiring protection)

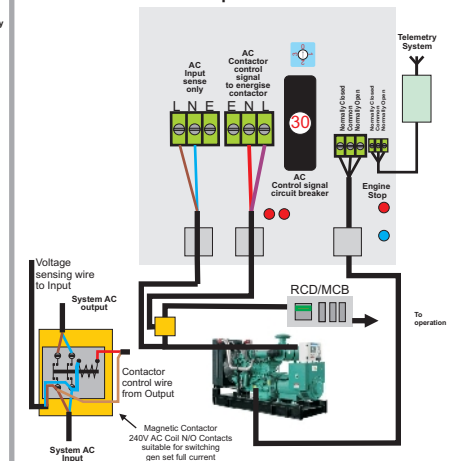


SKU	Size L x W x D mm	Weight KG
HVPD	155 x 170 x 118	1.0

6KVA direct protection



Unlimited power indirect



Multi product use covering Gen sets / Inverters / Mains

